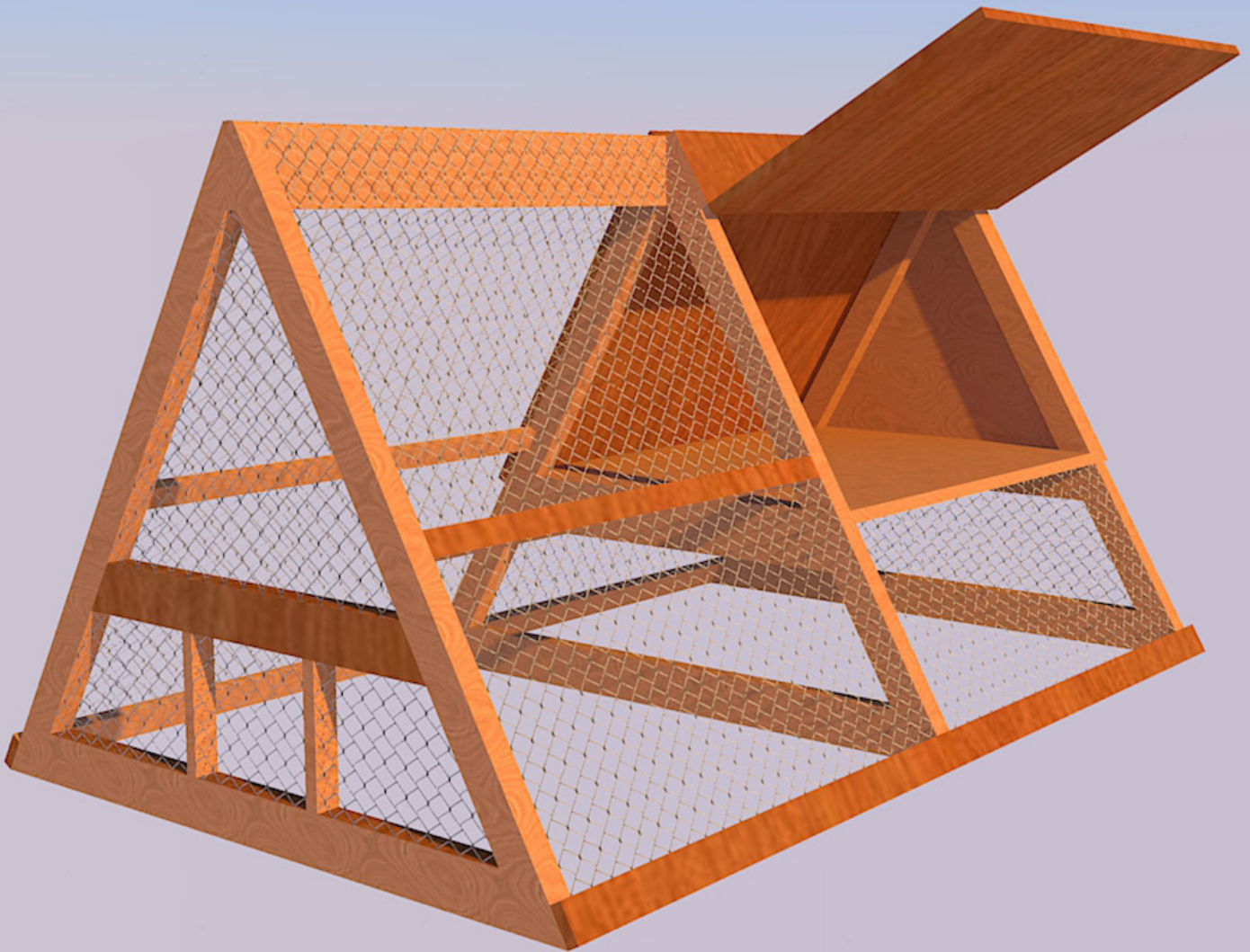


DIY A-Frame Chicken Coop Plan

step-by-step guide



CHICKENFANS.COM

visit us for more chicken coop plans



DIY Chicken Coop

This is a design for an 5x8 feet A-frame chicken coop that you can use to put your chickens apart.

The design is relatively easy, and it's an ideal weekend project. There are some pieces with angular cuts, but they are all 30 or 60 degrees. There are no complex double miters joints.

Features of the Coop

- 5 x 8 ft run
- 45 x 31 inch closed compartment
- for 3 to 4 chickens
- you can open the roof for easy maintenance
- you can move the coop around

What you need

Here is the material list. You will also need screws and standard timber tools, like a saw and an electric drill. A miter saw can come in handy for the angular cuts.

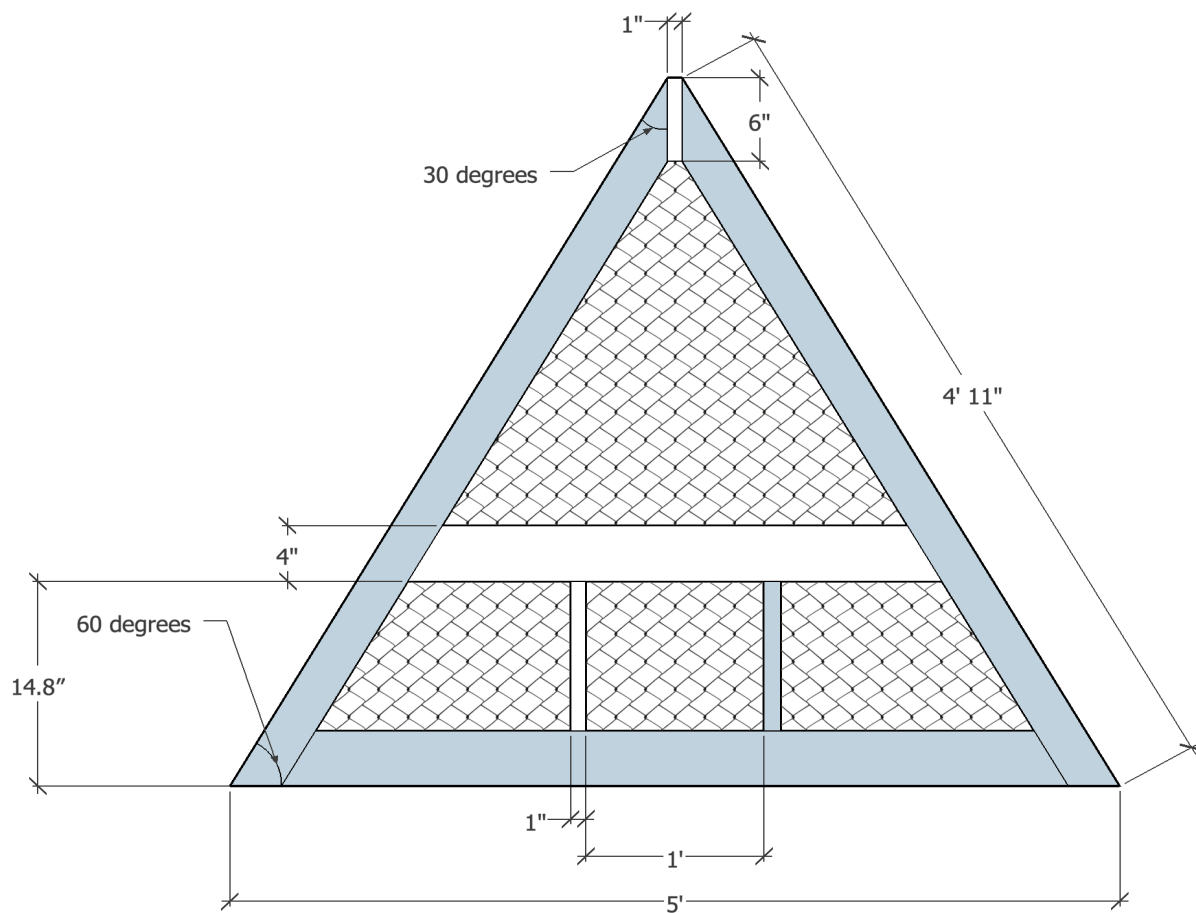
Item	Material	Amount / Length
Base	2x4" ground contact wood pressured lumber	3 x 53 inch
A-Bars	2x4" ground contact wood pressured lumber	3 x 36 inch
Base Plate	3/4" plywood	49 x 38 inch
Legs	3x4" ground contact wood pressured lumber	6 x 5 ft
Ridge Board	1 x 6" ridge board, standard lumber	8 ft
Furring Strips	1 x 3" furring strips to hold the wire	2 x 4 ft
Horizontal connectors	2 x 3" studs, standard lumber	2 x 8ft
Hinges	2 standard hinges for both sides	4
Doors and Sides	3/4" plywood, 50 x 40"	3



1. Overview

Here are the technical overview drawings you can always come back to when in doubt in any of the installation steps.

Feel free to adjust the size to your needs as the design is flexible. Check our [chicken coop size calculator](#) to see how much space you need for your hens.

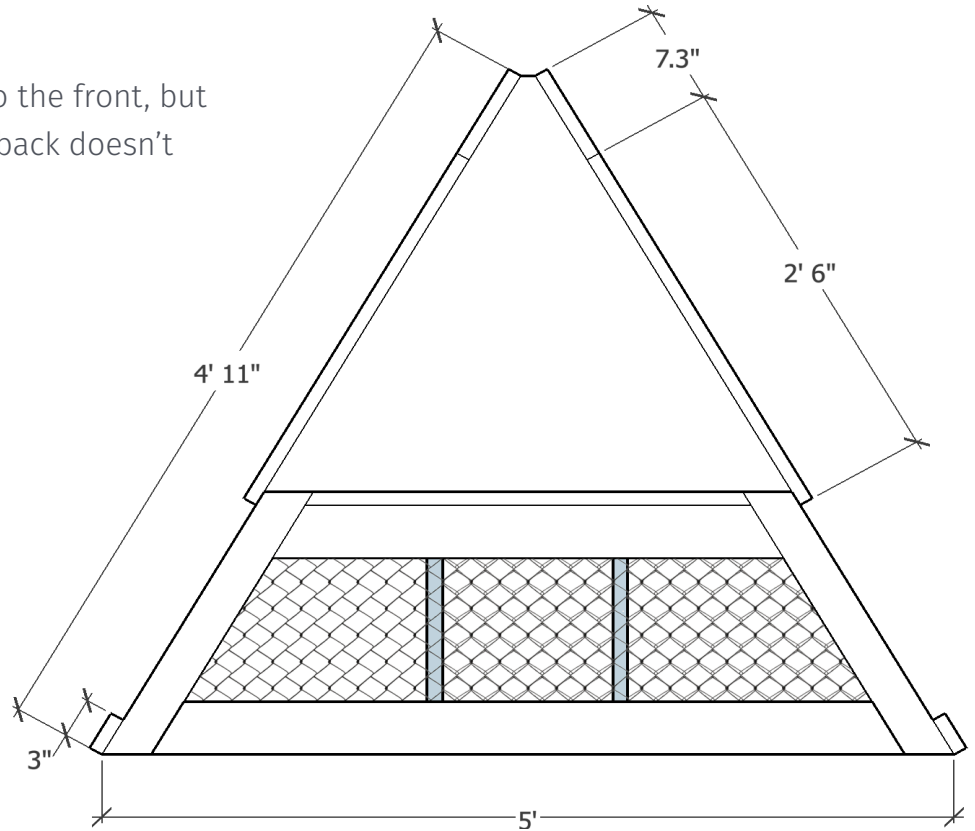


Front View

This is the triangular view of the front. The front contains a small rectangular entrance to the run. You can leave it out if you don't need a small coop entrance.

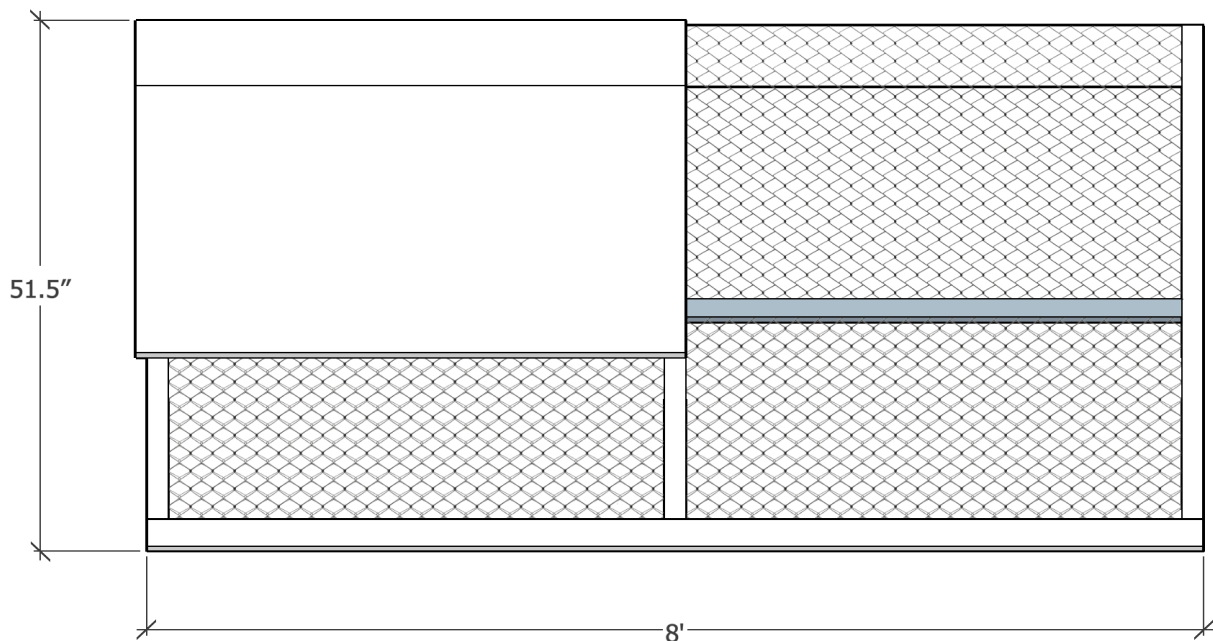
Back View

The back view is similar to the front, but is closed on the top. The back doesn't contain an entrance.

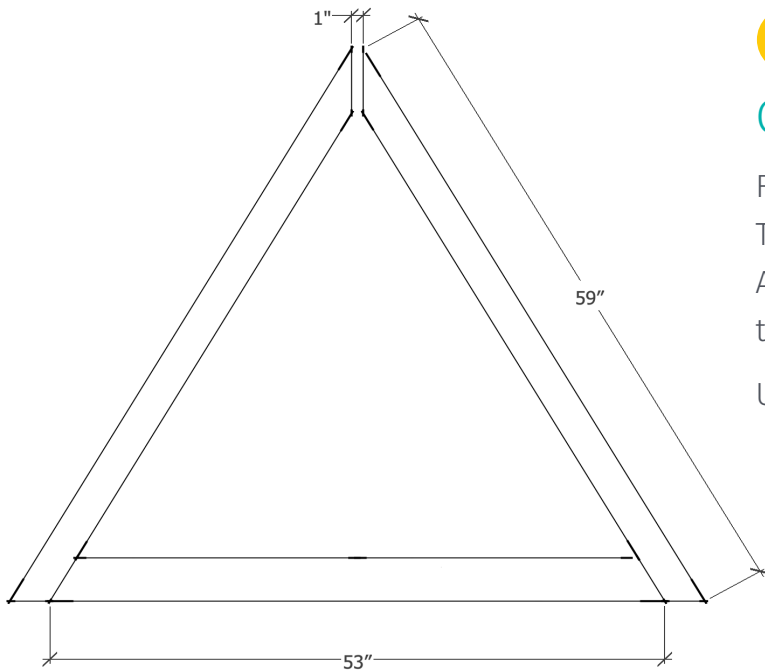


Side View

Looking from the side, most of the coop is fencing, apart from the upper half on the left that has plywood panels installed to provide cover for the birds.



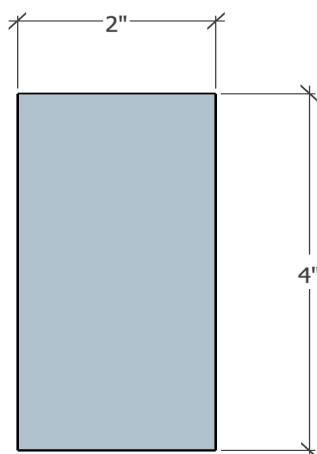
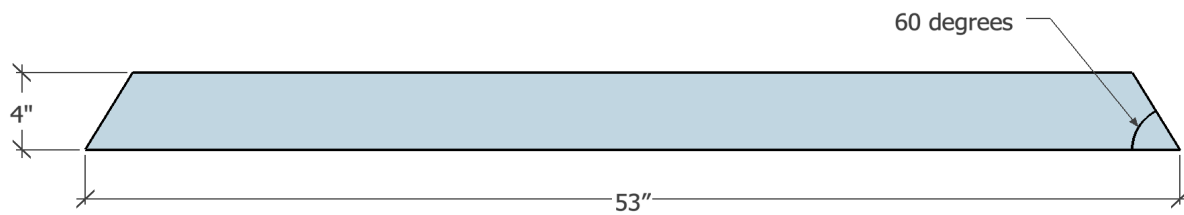
2. Build The Frame



Create Triangles

First create the triangles of the frame. These triangles form the skeleton of the A-coop. Fix the bottom parts, but leave the top open.

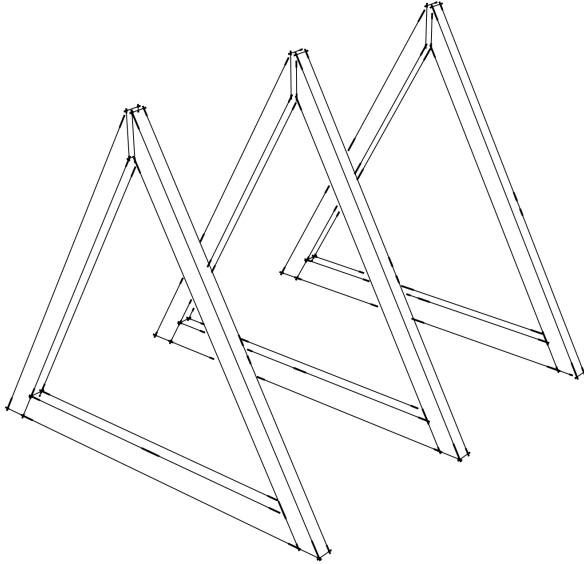
Use 2x4's on the bottom.



Sizes

We use 2x4s on the bottom of the coop. Cut a 60 degree angle on both sides so that the longest side is 53".

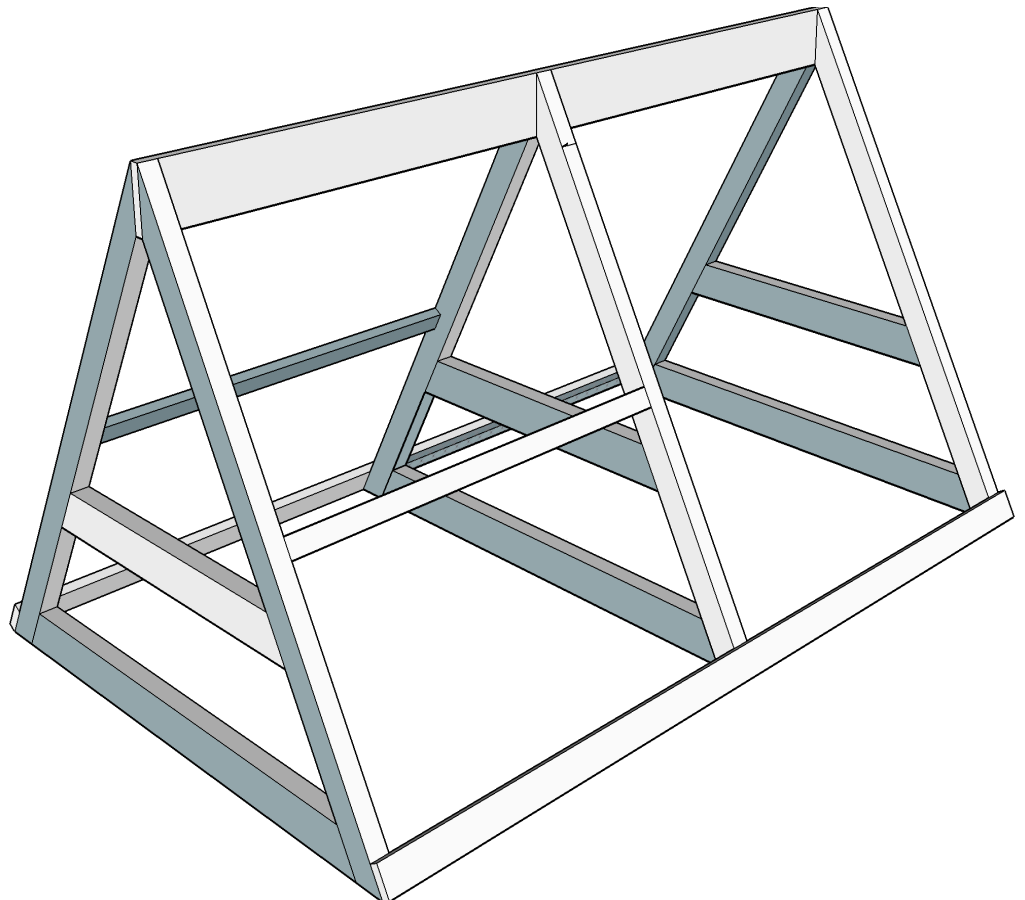
For the vertical/diagonal beams, we use 2x3s to lower the total weight (you can use 2x4s too). Cut one side in a 30 degree angle and one side in a 60 degree angle.

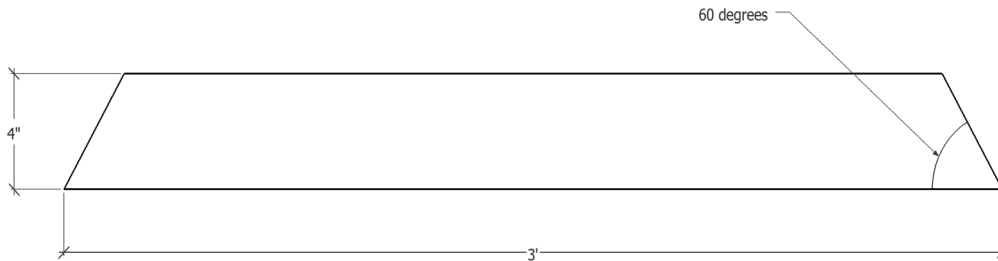


Create 3 triangles and screw the pieces together through the sides on the bottom. It can be difficult to screw horizontally, so it's a good idea to pre-drill before screwing.

Connect top and Bottom

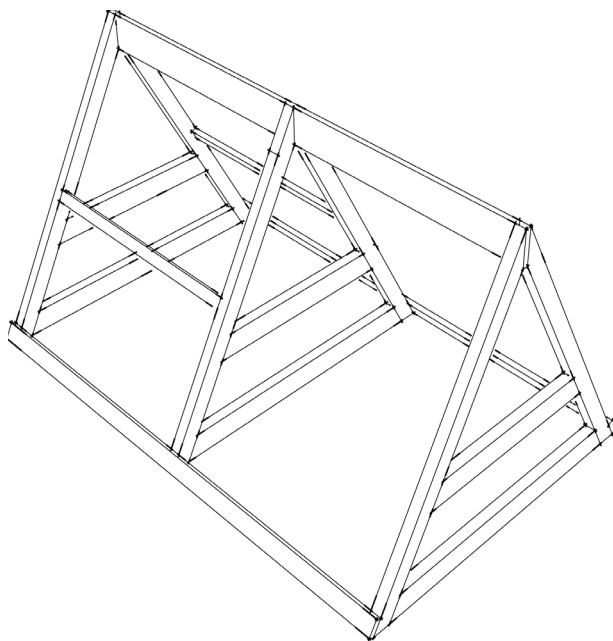
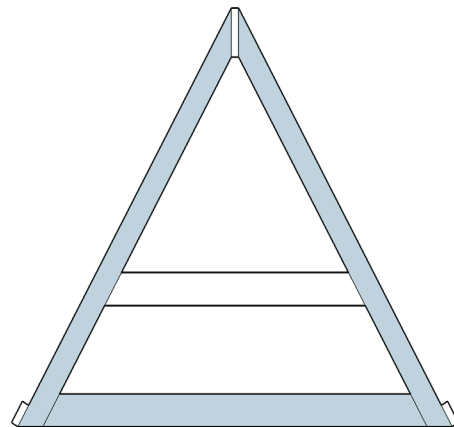
Connect the 3 triangles horizontally on the top with the ridge board. Connect the triangles on the bottom with 1x3s according to the plan. You can also use 2x3s or 2x4s to make the entire thing more rigid if you plan to move the coop a lot.





Complete the A-shapes

To make A-shapes of the Triangles, cut 36 inch of a 2x4 and create 60 degree angles at both sides. These form the bars of the A. Screw through the wood with long screws or use timber connectors.



Add Furring Strips

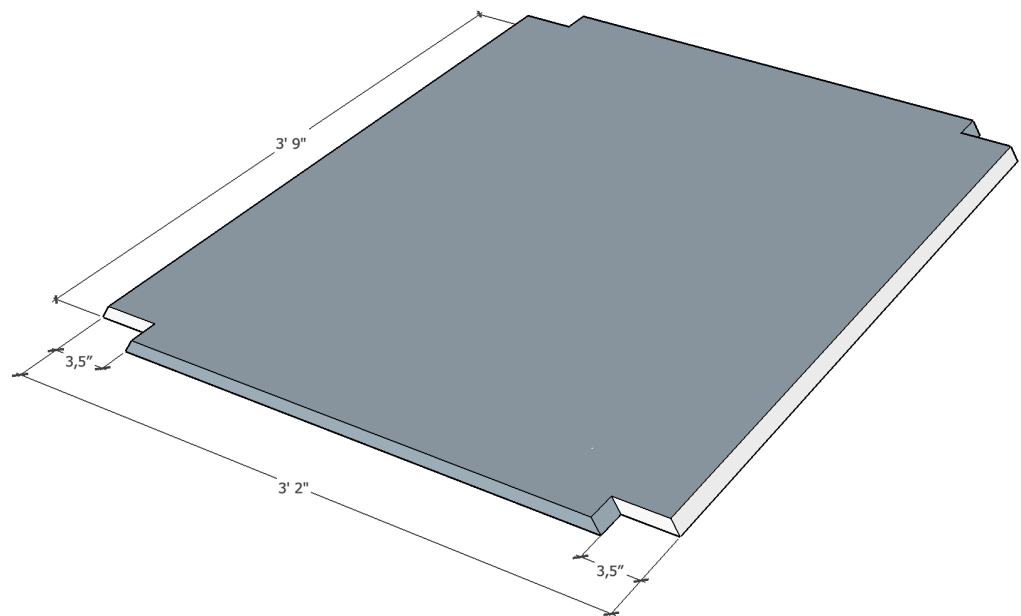
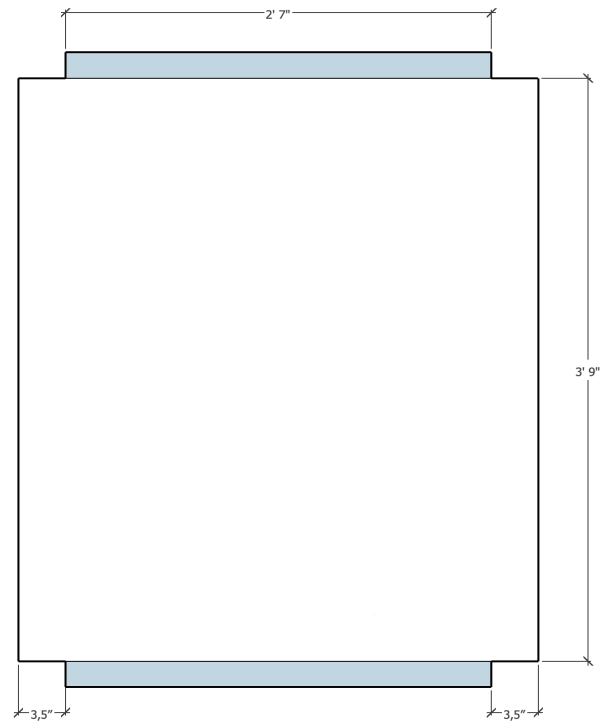
Add some furring strips on the open parts, so you have something to pin the fencing to later on.

3. The Coop

Base Plate

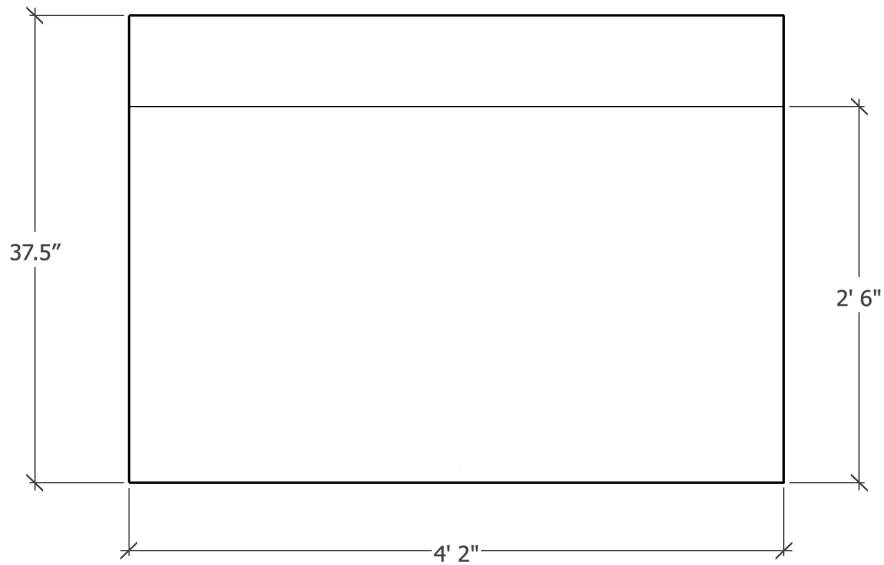
Half of the A-frame has a leveled coop for the birds to get off the ground. To install the coop, we start with the base plate.

First cut a 49x38" piece of plywood. Then take the 2x3.5" corners out. Don't bother with angular cuts and cut off some extra if you need to make it fit.

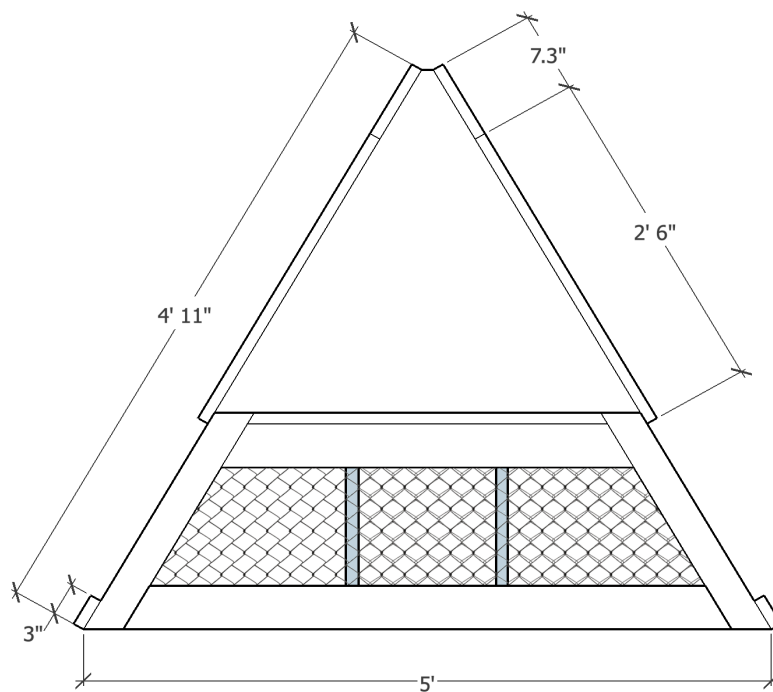


Coop Covers

Finish the cover by cutting some plywood to create the wind shield. The sides have two pieces. The top parts are fixed and the bottom parts can be opened. Hinges connect the top and bottom parts.



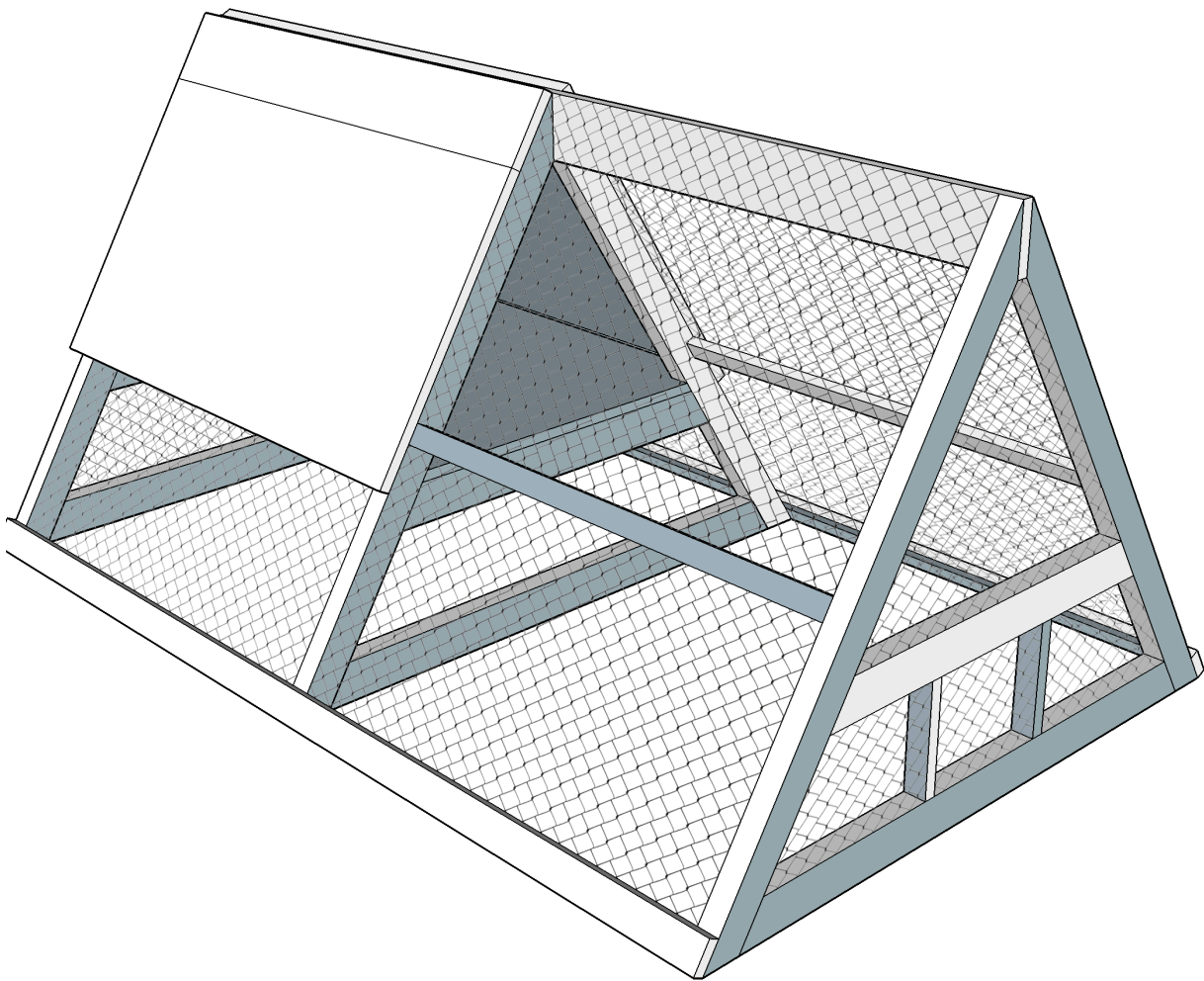
The back cover is fixed and is a (1inch truncated) triangle shape..



Complete the Chicken Coop and Run

Use a staple gun and 1/2" staples to attach the wire to the wooden A-frame. If you need to protect your chickens against predators, install hardware cloth.

You can create a small chicken run door too with simple hinges and a piece of plywood.



Install The Chicken Coop

Pick a spot to install the coop. If the coop is too heavy to carry around, you can take off the hinges and the covering plywood on the sides to make it lighter.



Tip

If you install some wheels and handles, you can transform the A-frame into a chicken tractor that's easy to move around.

Finish the Chicken Coop

To completely finish the coop:

- install a ramp for the birds to get on the platform
- install a lock on the roof to prevent wind from lifting the roof
- paint your A-frame chicken coop
- install a chicken coop door



Chicken Coop Paint

Don't start running to the basement to see what you have dregs and drabs of. Check our website for [chicken coop paint recommendations](#). Only use paint or oil that is safe for your birds.



Automatic Chicken Coop Door

If you don't like to be elbowed out of bed at cock crow to let the hens out, install an automatic chicken coop door. Go to [chickenfans.com for reviews](#) and [step-by-step instructions to install an automatic chicken coop door](#).

CHICKENFANS.COM

ONLINE

www.chickenfans.com

SOCIAL MEDIA

instagram [chickenfansdotcom](https://www.instagram.com/chickenfansdotcom)

twitter [chickenfanscom](https://twitter.com/chickenfanscom)

pinterest [chickenfans](https://www.pinterest.com/chickenfans)